

VULCAN ELECTRIC HOISTS:



Also available:
THEATER HOIST

1/4 T. - 7.5 T.
Link or roller chain

Advantages:

2 independent brake systems: very safe
Transmission sealed in oil: *reduces maintenance & wear*
Upper and lower adjustable limit switch
Standard hook suspension

Options:

Mecanical limit switches
Suspensions: eye hook or lug
Motor treatments: TEFC, Humidity/acidity
Fan cooled motor
Mecanical overload
Thermal overload relay
115v control
12 buttons 1 & 2 speeds, alarm & emergency stop
Waterproof push button
2 speeds 3 phase, ratio 3 to 1
Synthetic oil for -30 ° temperature
Zinc treated chain & hook
Tandem operation

Roller chain in stainless steel

VULCAN ELECTRIC TROLLEYS:



The quality of these trolleys is always so excellent that they are also used for crane end trucks

1 T. - 10 T.

Advantages:

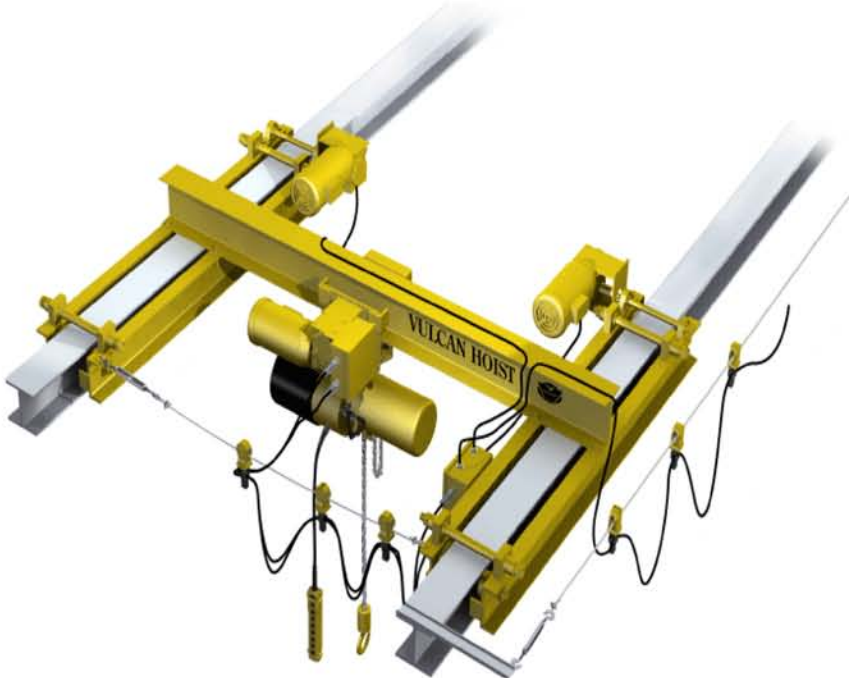
Case hardened wheels & pinion gear
Bumpers & drop stops
5T. & over have 2 rows of bearings
1 to 6 T. have 2 bolts holding the plates
7.5 & 10 T. have 3 bolts holding the plates

Options:

H-Beam wheels
2 Speeds 3 phase, ratio 2 3 4 5 6 to 1
Motor treatments: TEFC, Humidity / Acidity
Fan cooled motor
Thermal overload relay
115v control
Waterproof push button
Synthetic oil for -30° temperature

Alarm & emergency stop buttons
Up to 12 buttons 1 or 2 speeds
Tandem operation
Magnetic disc brake
Limit switch

VULCAN ELECTRIC END TRUCK:

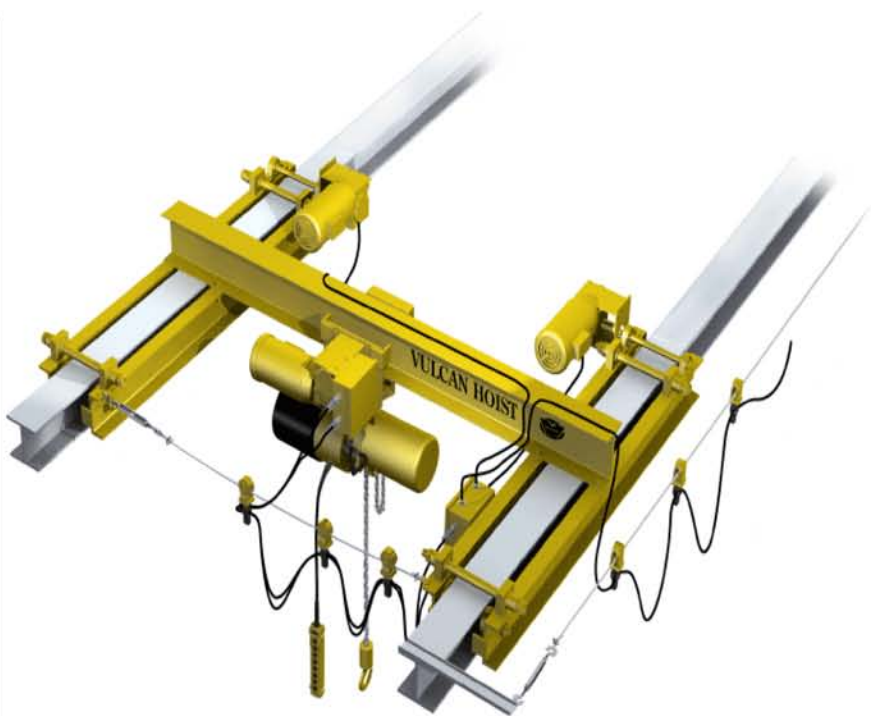


1 to 3 Tons Maximum 25' span (not included)

Advantages:

Case hardened wheels & pinion gear
Bumpers & drop stops
5T. & over have 2 rows of bearings
1 to 6 T. have 2 bolts holding the plates
7.5 & 10 T. have 3 bolts holding the plates

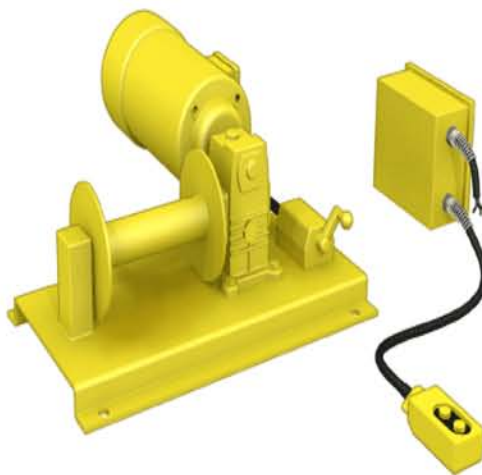
Options:



H-Beam wheels
2 Speeds 3 phase, ratio 2 3 4 5 6 to 1
Motor treatments: TEFC, Humidity /
Acidity
Fan cooled motor
Thermal overload relay
115v control
Waterproof push button
Synthetic oil for -30° temperature

Alarm & emergency stop buttons
Up to 12 buttons 1 or 2 speeds
Tandem operation
Magnetic disc brake
Limit switch

VULCAN ELECTRIC WINCH SERIE 1:



Pulling 1600 to 4000 lb
Lifting 400 to 1000 lb

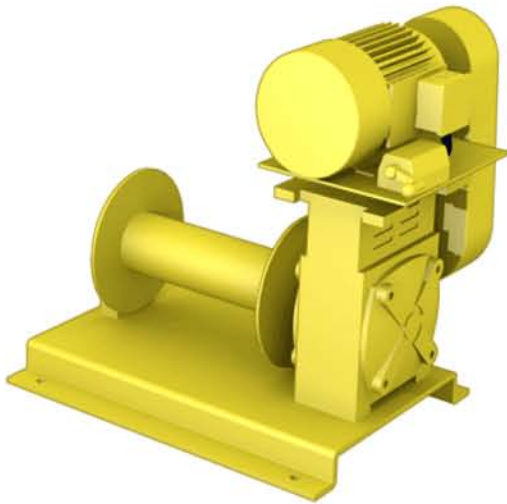
Advantages:

Heavy duty winch
All steel construction
Double reduction transmission sealed in
oil

Options:

Magnetic disc brake, required for lifting
application
Push button w/6' cable & control box
Motor treatments: TEFC, Humidity /
Acidity
Fan cooled motor
Thermal overload relay
Waterproof push button
Synthetic oil for -30 ° temperature
Adjustable limit switches

VULCAN ELECTRIC WINCHES SERIE 2:



Pulling 1600 to 12000 lb
Lifting 1000 to 3000 lb

Advantages:

Heavy duty winch
All steel construction
Double reduction transmission sealed in oil

Options:

Magnetic disc brake, required for lifting application
Push button w/6' cable & control box
Motor treatments: TEFC, Humidity / Acidity
Fan cooled motor
Thermal overload relay
Waterproof push button
Synthetic oil for -30 ° temperature
Adjustable limit switches